

BORDEAUX



166 BOTTLE FREE STANDING SINGLE ZONE WINE CABINET

Model Number: BE0270WC-166

INSTRUCTION MANUAL

FREE STANDING INSTALLATION

Contents

2	Welcome
3	Warranty Information
4	Important Safety Instructions
6	Parts and Specifications
7	Installation
8	Reversing the Door
9	Operation
11	Care and Maintenance
12	Other Useful Information
13	Troubleshooting

Welcome

Congratulations on choosing to buy a Bordeaux product.

All products brought to you by Bordeaux are manufactured to the highest standards of performance and safety, and, as part of our philosophy of customer service and satisfaction, are backed by our comprehensive 12 Month warranty.

We hope you will enjoy using your purchase for many years to come.

If you require technical support or in the unlikely event that your purchase is faulty, please telephone our helpline for immediate assistance.

Warranty Information

This product is guaranteed to be free from defects in workmanship and parts for a period of 12 months from the date of purchase. Defects that occur within this warranty period, under normal use and care, will be repaired, replaced or refunded at our discretion. The benefits conferred by this warranty are in addition to and in no way excludes, restricts or modifies all rights and remedies set forth by the New Zealand Consumer Guarantees Act (1993) and any other statutory rights that you may be entitled to.

Bordeaux offers no guarantee for our wine cooler if it is being used for any purpose other than that for which it was specifically designed. Bordeaux cannot be held responsible for any error in this manual. Bordeaux is not responsible or liable for any spoilage or damage to wines or any other contents incidental or consequential to possible defects of the wine cellar. Warranty applies to the wine cellar only and not to the content of the wine cellar.

In order to claim this Manufacturer's warranty please return along with your proof of purchase (receipt), freight prepaid to the place of purchase. We will then, at our discretion, either repair or replace the defective parts or product.

Important Safety Information

Carefully read this manual before using this appliance

- Ensure that you know how the appliance functions and how to operate it.
- Maintain the appliance in accordance with the instructions to ensure that it functions properly.
- Keep this manual with the appliance. If the appliance is to be used by a third party, this instruction manual must be supplied with it.
- The safety instructions do not by themselves eliminate any danger completely and proper accident prevention measures must always be used.
- No liability can be accepted for any damage caused by non-compliance with these instructions or any other improper use or mishandling.
- Do not use this appliance if it has been dropped or damaged in any way, or if the supply cord is damaged.

Earth Safety

This appliance must be earthed. Only connect to a suitably earthed 220-240V ~ 50Hz supply socket.

Intended Use

This appliance is designed for cooling and storing wines. Do not store perishable food or medical products in the appliance.

This appliance is not intended for use by persons (including children) with reduced physical, sensory or mental capabilities, or lack of experience and knowledge, unless they have been given supervision or instruction concerning use of the appliance by a person responsible for their safety.

Exercise caution and use reasonable supervision when the appliance is used near children. Never allow children to operate, play or crawl inside the appliance. Keep packing materials away from children.

Children should be supervised to ensure that they do not play with the appliance.

This appliance is intended to be used in household and similar applications such as

- staff kitchen areas in shops, offices and other working environments;
- farm houses and by clients in hotels, motels and other residential type environments;
- bed and breakfast type environments;
- catering and similar non-retail applications.

Intended Purpose: Do not use the appliance for anything other than its intended purpose, and only use it as described in this manual



To reduce the risk of fire, electrical shock or injury when using your appliance, please follow these basic instructions

- Do not operate if the housing is removed or damaged.
- Before performing any maintenance or cleaning ensure the wine cooler is unplugged or disconnected from the mains supply.
- Do not clean appliance with flammable fluids. Do not store or use gasoline or other flammable vapours and liquids in the vicinity of this or any other appliance. The fumes can create a fire hazard or explosion.
- Exercise caution when moving and installing the unit. The wine cooler is heavy and may require two or more people when moving to prevent injury or strain.
- To ensure proper ventilation for your unit the front of the unit must be completely unobstructed at all times. Choose a well ventilated area with temperatures between 15-32°C

- Locate the unit away from direct sunlight and other heat sources (stove, heater, radiator etc.). This unit is intended for indoor use only and must be installed in an area protected from the elements.
- Place the appliance on a solid, level surface.
- To protect against electric shock, do not immerse appliance, plug or cord in water or other liquids. Avoid locating appliance in moist or damp areas. Do not operate the unit with wet hands or when standing in water.
- This appliance is designed to be built-in (fully recessed) or free standing.
- Do not use solvent based cleaning agents or abrasives when cleaning the wine cooler.
- Keep fingers out of pinch point areas and be careful when closing doors if children are around.

WARNING: It is hazardous for anyone other than an Authorised Service Person to carry out servicing or repairs to this appliance.

WARNING: Do not use mechanical devices or other means to accelerate the defrosting process, other than those recommended by the manufacturer.

WARNING: Do not damage the refrigerant circuit.

WARNING: Do not use electrical appliances inside the compartments

Disposal

DANGER or WARNING: Risk of child entrapment.

To avoid the possibility of child entrapment, please take the following precautions before throwing out the wine cooler.

- Remove all doors from the unit.
- Leave the shelves in place so that children may not easily climb inside.
- Never allow children to operate, play with, or crawl inside the wine cooler.

Refrigerants:

All refrigeration products contain refrigerants, which under the guidelines of federal law must be removed before disposal of product. It is the consumer's responsibility to comply with federal and local regulations when disposing of this product. Never clean wine cooler parts with flammable fluids. The fumes can create a fire hazard or explosion.

R600A Warning

This appliance uses a small quantity of R600A (Iso-butane) flammable refrigerant (60g)

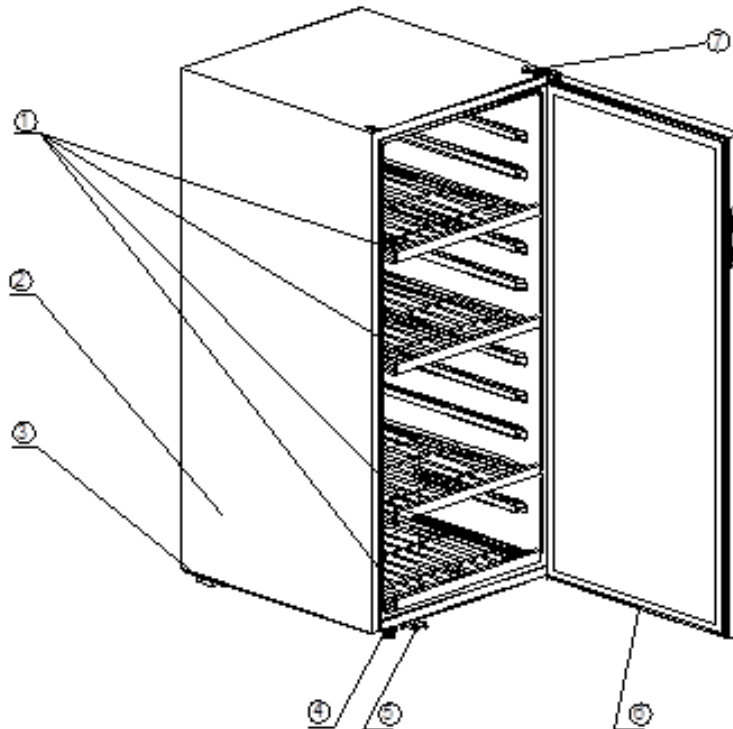
For your safety please observe the following recommendations:

- This appliance contains a small quantity of R600A refrigerant which is environmentally friendly, but flammable. It does not damage the ozone layer, nor does it increase the greenhouse effect.
- During transportation and installation, ensure that the tubing of the refrigerant circuit is not damaged.
- Avoid using or manipulating sharp objects near the appliance.
- Leaking refrigerant can ignite and may damage the eyes.
- In the event any damage does occur, avoid exposure to open fires and any device which creates a spark. Disconnect the appliance from the mains power.
- Thoroughly ventilate the room in which the appliance is located for several minutes.
- Notify Customer Service for necessary action and advice.
- The room for installing the appliance must be at least 1 cubic metre per 8 grams of refrigerant. The refrigerant quantity contained in this appliance is listed above in grams; it is also noted on the Rating Plate of the appliance.

Allow 24 hours before switching on the wine cellar. During this time we recommend that you leave the door open to clear any residual odours.

Parts and Specifications

1. Shelves
2. Body
3. Compressor base
4. Foot
5. Glass door support
6. Glass door and
Magnetic Gasket
7. Top Hinge Cover



MODEL:	BE0270WC-166
RATED VOLTAGE:	220-240V~50Hz
RATED CURRENT:	1.4A
AMBIENT TEMPERATURE RANGE:	15° – 32°C / 60° – 90°F
CONTROL TEMPERATURE RANGE:	5° – 22°C / 40° – 72°F
REFRIGERANT:	R600a / 60g
VOLUME:	428L
NET WEIGHT:	85kg
GROSS WEIGHT:	100kg
DIMENSIONS (W X D X H):	595mm x 690mm x 1737mm
CARTON DIMENSIONS (W X D X H):	660mm x 760mm x 1750mm

Installation

- Remove all packing material before using your wine cooler.
- Clean the interior surface with lukewarm water and a soft cloth
- **IMPORTANT** Before connecting your unit to a power source, let it stand for approximately 24 hours. This will reduce the possibility of a malfunction in the cooling system from handling during transportation. We also recommend leaving the door open during this time to allow the interior of the units to air out.
- This unit is designed for freestanding installation but indoor use only. Position the unit in a dry and well-ventilated place. Avoid placing the wine cooler near any source of heat or moisture, or in direct sunlight. DO NOT install the unit in a location with an ambient temperature that will fall below 15°C.
- For freestanding installation, leave a 15cm space at the back of the unit, 25-30cm of space on each side, and unlimited clearance at the top of the wine cooler is suggested to ensure correct air circulation to cool the compressor and condenser. Do not place underneath a table, counter top or anything of that sort as this will not allow for proper circulation.
- Do not slide the wine cooler into place.
- Place the wine cooler on a level surface strong enough to support it when fully loaded. To level the wine cooler, adjust the front levelling legs at the bottom of the wine cooler.
- Plug the wine cooler into a dedicated, properly installed, grounded wall outlet.

Leveling your wine cooler: The wine cooler must be leveled BEFORE loading your wines. Your wine cooler is equipped with 2 adjustable feet to facilitate easy leveling.

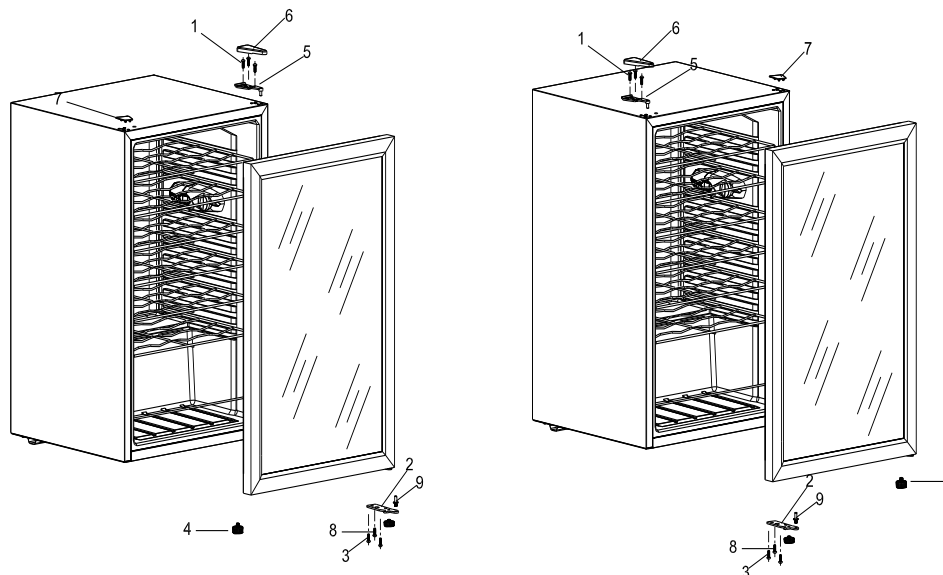
Reversing the Door

Reversing the door swing of your appliance.

This unit has the capability of the door opening from either the left or the right side. The unit is delivered to you with the door opening from the left. Should you desire to reverse the direction in which the door opens, please follow the below:

NOTE: all parts removed should be saved to allow the door swing to be changed back.

- Remove the upper hinge cover (6) first.
- Remove the three screws (1) that hold the upper hinge (5) (right side) to the frame, Take away the upper hinge (5) (right side).
- Lift the door and place it on a padded surface to prevent scratching it.
- Remove the three screws (8) that hold the lower hinge (2) and make sure to remove the lower hinge(2).
- Remove the left front leg (4) and transfer it to the right side.
- Remove the hole cover plate (7) to the right side.
- Before placing this lower hinge (2),remove the bolt in (9) and reverse the direction of the lower hinge(2).Then install the lower hinge(2) onto the left side of the lower frame with two screws.
- Insert the bolt in (9) to the lower hinge(2).
- When replacing the door, turn the door 180° so that the handle is now on the alternate side.
- Set the door in its place making sure the door seats on the lower hinge (2).
- While holding the door in the closed position secure the upper hinge (5) in the top frame of left side with three screws(1).Please remember do not tighten the three screws(1) until the top of the door is level with the top of the cabinet.
- Install the upper hinge cover (6) on the upper hinge.



Operation

Controls



POWER

To turn the appliance ON or OFF touch the  button

LIGHT

Turn the interior light ON or OFF


UP

Raise the set temperature by 1°C or 1°F








DOWN

Lower the set temperature by 1°C or 1°F

°F / °C Selector

Choose to display the temperature in Celsius or Fahrenheit. To change the temperature display touch and hold  for 5 seconds.

Switching on the appliance and setting the temperature

- To switch the appliance on, press the button  and hold 5 seconds, to turn the appliance off again, press and hold the power button for 5 seconds.
- When you press the UP  or DOWN  button for the first time, the LED display will indicate the factory pre-set temperature.
- Press the UP  or DOWN  button once. The display will increase or decrease 1°C or 1°F until the temperature you want.
- To see the set temperature of each zone at any time, touch the UP  or "DOWN  button, the set temperatures temporarily flash on the display for about 5 seconds.

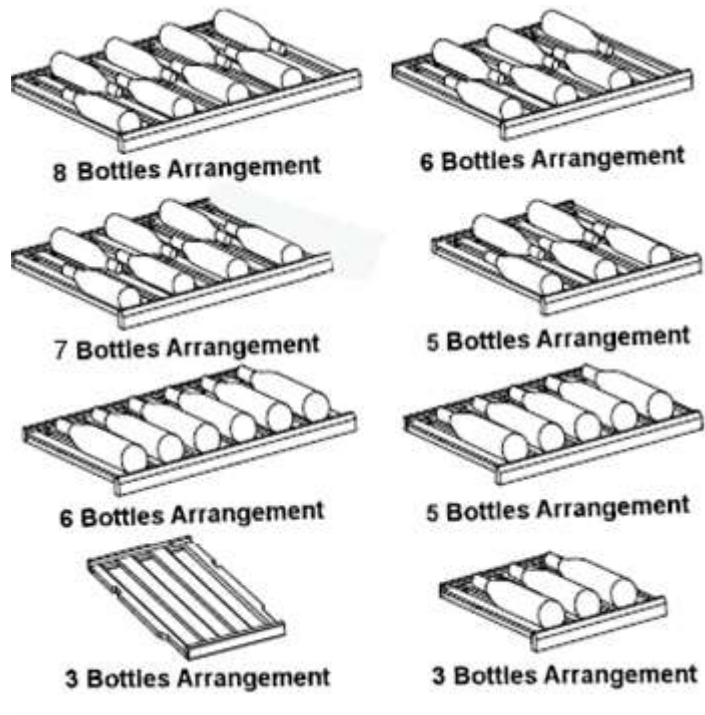
When you first switch on the appliance, the compressor will run continuously until the wine cooler reaches a cool enough temperature. During this period of time, you should try not to open the door frequently or place bottles inside of the appliance.

NOTE: When using the unit for the first time or after a long period of inactivity, there may be a variance of a few degrees between the selected temperature and the temperature indicated on the LED readout. This is normal due to the length of inactivity and will correct itself after the unit is run for a few hours. If the unit is unplugged, has lost power or is turned off, wait 3-5 minutes before restarting the unit. The units will not start before this time.

Storing Wine

Your appliance is ideally suited to store 750ml Bordeaux style wine bottles. Whilst it can store larger bottles, you must make sure that they do not prevent the door from shutting properly.

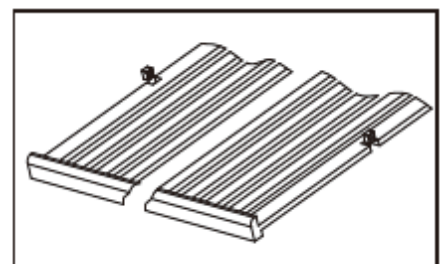
- Always check that you can close the door without it fouling on a wine bottle, before shutting it.
- When loading several bottles of wine at once, it will take longer for the appliance to cool the individual bottles.
- As many bottles may differ in size and dimensions, the actual number of bottles you are able to store may vary.
- The maximum storage number is based on standard 750ml Bordeaux style wine bottles.



Shelves

To avoid damaging the door gasket, ensure that the door is fully opened when pulling the shelves out of the rail compartment.

- The shelves are fully adjustable to suit various wine bottle shapes and sizes.
- The pull-out shelves allow bottles of wine to be viewed and removed more easily. Any of the extension shelves can be moved to store larger bottles.
- For easy access to the storage bottles, you must pull the shelf approximately 1/3 out of the rail compartment. The shelves are designed with an emergency stop to prevent them being removed too far when loaded.
- When removing a shelf from the rail compartment, make sure to remove all items first, then move the shelf to the position so that the plastic notch is exactly under the plastic post and lift the shelf. In order to replace the shelf, repeat the steps described above in the reverse order.



Defrosting

The wine cooler defrosts automatically. The evaporator behind the rear wall of the unit automatically defrosts and the condensate collects in the drainage channel behind the rear wall of the unit, and flows through the drainage hole into the drip tray by the compressor, where it will evaporate.

Care and Maintenance

Cleaning your Wine Cooler

IMPORTANT: Always unplug the unit before cleaning or performing maintenance. Never use harsh cleanser or scouring pads to clean any parts of the unit.

- Turn off the power, unplug the appliance, and remove all items including shelves.
- Wash the inside surfaces with warm water and a baking soda solution, The solution should be about 2 tablespoons of baking soda to 1L water.
- Wash the shelves with a mild detergent solution
- Wring the excess water out of the sponge cloth before cleaning control panels or any electrical parts.
- Wash the outside cabinet with warm water and mild liquid detergent. Rinse well and wipe dry with a clean soft cloth.

Power Failure

Most power failures are corrected within a few hours and should not affect the temperature of your wine cooler. If the power is off for an extended period of time, proper steps should be taken to protect your contents.

Inactivity

If the unit is not to be used for a period of less than three weeks, leave the cooler operating. If the period of inactivity is several months or more, remove all items and turn the unit off. Clean and dry the interior thoroughly.

Leave the door open slightly to prevent any possible moisture build up.

Moving your Wine Cooler

Before moving your wine cooler be sure to remove all items from inside.

- Securely tape down any loose items, such as shelves, inside the unit.
- Turn the adjustable legs up into the base to avoid damage.
- Tape the door shut.
- Ensure that the unit stays securely in the upright position during transportation. Protect the outside of the appliance with a blanket or similar.

Energy Saving Tips

- The unit should be located in the coolest area of the room away from heat sources or direct sunlight.
- Ensure the unit has proper allowances on all sides to allow for correct ventilation. Never cover any air vents.
- Only open the cooler door for as long as necessary. Frequent opening of the door will affect internal temperature.

Other Useful Information

Operating Noises

To reach the desired temperature settings, Bordeaux wine coolers, like all wine cellars operating with compressors and fans, may produce the following types of noises. These noises are normal and may occur as follows:

- Gurgling sound - caused by the refrigerant flowing through the appliance's coils.
- Cracking/popping sounds - resulting from the contraction and expansion of the refrigerant gas to produce cold.
- Fan operating sound - to circulate the air within the wine cellar.

An individual's perception of noise is directly linked to the environment in which the wine cellar is located, as well the specific type of models. Bordeaux wine coolers are in line with international standards for such appliances. Bordeaux will always do its utmost to satisfy its customers but will not retake possession of the goods due to complaints based on normal operating noise occurrences.

WINE SERVING TEMPERATURE CHART

All wines mature at the same temperature, which is a constant temperature set between 12°C to 14°C. The below chart is an indicative temperature chart to indicate the best temperature for drinking purposes.

Champagne NV, Sparkling, Spumante	6°C
Dry White Semillon, Sauvignon Blanc	8°C
Champagne Vintage	10°C
Dry White Chardonnay	10°C
Dry White Gewürztraminer, Riesling, Pinot Grigio	10°C
Sweet White Sauternes, Barsac, Montbazillac, Ice Wine, Late Harvest	10°C
Beaujolais	13°C
Sweet White Vintage: Sauternes...	14°C
White Vintage Chardonnay	14°C
Red Pinot Noir	16°C
Red Grenache, Syrah	16°C
Red Vintage Pinot Noir	18°C
Cabernet & Merlot: French, Australian, New Zealand, Chilean, Italian, Spanish, Californian, Argentinean...	20°C
Vintage Bordeaux ... Room temperature not exceeding	20°C

IMPORTANT INFORMATION ABOUT TEMPERATURE

Your Bordeaux wine cooler has been designed to guarantee optimum conditions for storing and/or serving your wines. Fine wines require long and gentle development and need specific conditions in which to reach their full potential.

All wines mature at the same temperature, which is a constant temperature set between 12°C to 14°C. Only the temperature of "degustation" (wine appreciation) varies according to the type of wines (see "Wine Serving Temperature Chart" above). This being said and as it is for natural cellars used by wine producers for long periods of storage, it is not the exact temperature that is important, but its consistency. In other words, as long as the temperature of your wine cellar is constant (between 12°C to 14°C) your wines will be stored in perfect conditions.

Not all wines will improve over the years. Some should be consumed at an early stage (2 to 3 years) while others have tremendous ageing capability (50 and over). All wines have a peak in maturity. Do check with your wine merchant to get the relevant information.

Troubleshooting

Common problems may easily be solved, saving you the cost of a possible service call. Please read carefully the instruction manual and revert to troubleshooting guide chart.

PROBLEM	POSSIBLE CAUSE
Wine cellar does not operate	Not plugged in. The appliance is turned off. The circuit breaker tripped or the fuse is broken.
Wine cellar is not cold enough	Check the temperature control setting. External environment may require a higher setting. The door is opened too often. The door is not closed completely. The door gasket does not seal properly.
Turns on and off frequently	The room temperature is hotter than normal. A large amount of content has been added to the Wine cellar. The door is opened too often. The door is not closed completely. The temperature control is not set correctly. The door gasket does not seal properly.
The light does not work	Not plugged in. The circuit breaker tripped or a blown fuse. The bulb is out of order. The light button is "OFF".
Vibrations	Check to assure that the Wine cellar is level.
The Wine cellar seems to make too much noise	The rattling noise may come from the flow of the refrigerant, which is normal. As each cycle ends, you may hear gurgling sounds caused by the flow of refrigerant in your Wine cellar. Contraction and expansion of the inside walls may cause popping and crackling noises. The Wine cellar is not level.
The door will not close properly	The Wine cellar is not level. The door was reversed and not properly installed. The gasket is faulty (magnet or rubber is spoiled) The shelves are out of position.