

BORDEAUX

52 Bottle Single Zone Wine Cooler
Built-in or Free-standing



Operation and Storage Manual
Model: BEWC-52



Contents

<u>1</u>	Features.....	2
<u>2</u>	Before First Use.....	2
<u>3</u>	Important Safety Measures and Instructions.....	3
<u>4</u>	Warnings and Cautions.....	4
<u>5</u>	Installation.....	7
<u>6</u>	Before Initial Operation.....	8
<u>7</u>	Device Overview.....	9
<u>8</u>	Operation.....	10
<u>9</u>	Temperature Setting.....	11
<u>10</u>	Helpful Hints/Energy Saving.....	11
<u>11</u>	Cleaning and Maintenance	12
<u>12</u>	How to Move the Appliance.....	13
<u>13</u>	How to Move the Shelves	13
<u>14</u>	Cabinet Dimensions.....	14
<u>15</u>	Electrical Circuit Diagram.....	14
<u>16</u>	Troubleshooting.....	15
<u>17</u>	Warranty Statement.....	17
<u>18</u>	Decommissioning.....	18
<u>19</u>	Technical Specifications	19

BORDEAUX

52 Bottle Single Zone Wine Cooler

Thank you for choosing a Bordeaux Wine Cooler. If operated and taken care of properly and in accordance with these instructions, this appliance will be useful for many years.

1 Features

- Single zone for up to 52 bottles*
- Temperature range: 5 – 18°C
- Built-in or free-standing installation
- Blue LED interior light with switch
- Reversible tempered glass door (Reversible hinges included)
- Stainless steel door frame and handle
- No frost interior with fan circulating
- Energy efficient design
- 100% HFC free and CFC free
- Security lock system
- Beechwood shelves

*Based on standard shape 0.75 litre bottles.

2 Before First Use

- Before first use, remove any stickers or similar from the appliance except for the rating label.
- Dispose of plastic bags as they pose a risk of suffocation to young children.

Please read this manual before operating the appliance and keep it in a safe place for future reference. If this appliance is transferred to a new owner, the manual should also be provided. Ignoring the following safety instructions may endanger your health and life.

3 Important Safety Measures and Instructions

- Before operating the wine cooler, check that the voltage indicated on the appliance's technical plate corresponds to the voltage of the electricity supplied to your home.
- Check the electrical connections that will be used to run the wine cooler. Make sure all wires and connections to the appliance work properly and that they are not time-worn. Check that the technical requirements match that of the appliance. A check of existing and new connections should be undertaken by an authorised professional. Modifications to the electrical mains to enable the installation of the appliance must be performed by a qualified professional.
- This appliance is intended for private domestic use only.
- This appliance is for indoor use only.
- This appliance is not intended to be operated for commercial purposes, whilst camping or during transport.
- Operate the appliance in accordance with its intended use only.
- Do not allow anyone who is not familiar with this instruction manual to operate the appliance.
- This appliance may be operated by children aged from 8 years and above as well as by persons with reduced physical, sensory and mental capabilities or lack of experience and knowledge if they are supervised or have been instructed concerning the safe use of the appliance and comprehend the hazards involved. Children must not play with the appliance. Cleaning and user maintenance must not be carried out by children unless they are supervised.

4 Warnings and Cautions

- Do not connect to the mains if the appliance itself or the power cord or the plug are visibly damaged.
- Never try to repair the appliance yourself. If the appliance does not operate properly, please contact the retailer. Use original spare parts only.
- If the power cord becomes damaged it must be replaced by the manufacturer or a qualified electrician.
- This appliance is equipped with the environmentally friendly refrigerant R600a. The refrigerant R600a is inflammable. The components of the cooling circuit must not be damaged during transport or use.
- If any part of the cooling circuit is damaged, the appliance must not stand near a fire, naked light or spark-generating devices. Immediately contact the retailer if under warranty or customer support
- If gas is set free in your home:
 1. Open all windows.
 2. Do not unplug the appliance and do not use the control panel or thermostat.
 3. Do not touch the appliance until the gas has dissipated as sparks may be generated that could ignite the gas.
- When disposing of or decommissioning the appliance, keep all components away from fire or other sources of ignition.
- Do not install the appliance near volatile or combustible materials (e.g. gas, fuel, alcohol, paints) or in rooms which may have poor air circulation (e.g. garage).

EXPLOSION HAZARD

Do not store any explosive materials or sprays that contain flammable propellants in the appliance.

- Do not connect the appliance to the electric supply unless all packaging and transit protectors have been removed.

- Operate the appliance with 220–240V AC/50Hz only. All connections and energy-leading components must be replaced by an authorised professional.
- Do not use an extension cord or a multi-socket when connecting the appliance to the mains.
- A dedicated and properly grounded socket meeting the data of the plug is required to minimise any kind of hazard. The appliance must be grounded properly.
- Check that the power cord is not placed under the appliance or damaged when moving the appliance.
- The technical data of your energy supplier must meet the data on the model plate of the appliance.
- Your domestic circuit must be equipped with an automatic circuit breaker.
- Do not modify the appliance.

RISK OF ELECTRIC SHOCK

Turn off the power before you install the appliance and before you connect it to the mains. Do not use a steam cleaner to clean or defrost the appliance. The steam can make contact with the electrical parts and cause an electrical short. Never use mechanical devices, knives or other sharp-edged items to remove encrusted ice from inside the appliance.

- Disconnect the appliance from the mains before undertaking cleaning or maintenance.
- Do not use electrical appliances inside the wine cooler.
- Do not place heat-radiating appliances on the wine cooler.
- Do not install the appliance in a place where it may come in contact with water/rain, as the insulation of the electrical system will be damaged.
- Do not put a kettle or objects containing water e.g. a vase on top of the wine cooler as spilled water can seriously damage the appliance.

- Children must never play with the appliance.
- If you decommission the wine cooler (even temporarily), ensure that children cannot access the appliance interior.
- The condenser and the compressor, located at the rear of the appliance, can reach high temperatures during ordinary operation. Carry out installation according to this manual. Insufficient ventilation of the wine cooler will impair its operation and will damage the appliance. Do not cover or block the ventilation slats at any time.
- Do not touch the extremely cooled surfaces with wet or damp hands; skin may stick to these surfaces.
- When you move the appliance, hold it at its base and lift it carefully. Keep the appliance in an upright position.
- Do not tilt the appliance more than 45°.
- If the appliance is transported in a horizontal position, oil may flow from the compressor into the refrigerant circuit.
- Leave the appliance in an upright position for 4–6 hours before you switch it on to ensure that the oil has flowed back into the compressor.
- Never use the door for moving the appliance as you will damage the hinges.
- Do not operate the appliance unless all components are installed properly.
- Do not stand or lean on the base, the drawers, the doors etc of the appliance.
- Do not put hot liquids or hot foodstuff into the appliance.
- The air vents of the appliance or its built-in structure (if the appliance is suitable for being built-in) must be completely open, unblocked and free of any kind of dirt.

5 Installation

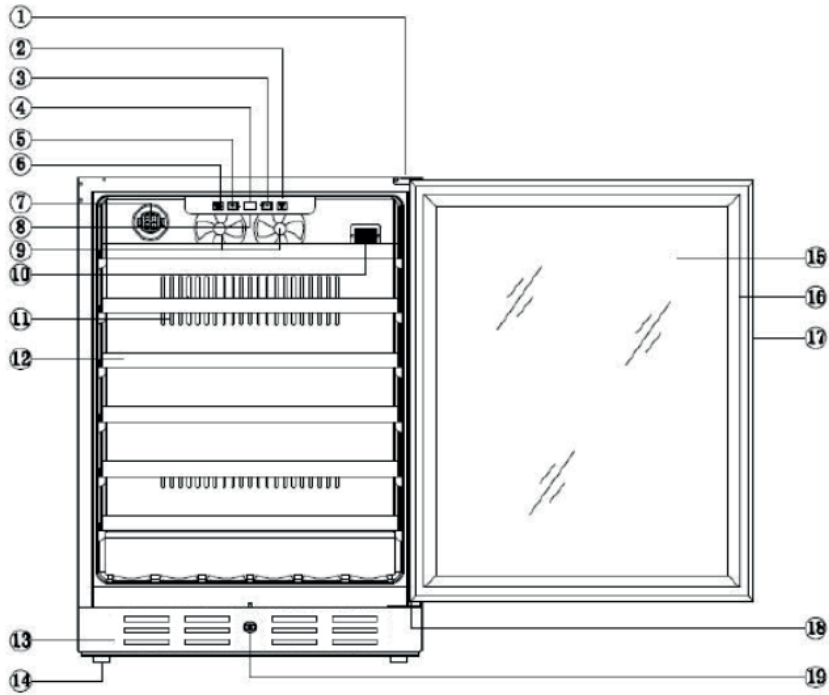
- Unpack the appliance carefully. Dispose of the packaging.
- Packaging may include a rubber wedge that comes inserted into the gap in the door. This is there to prevent the door from dropping during transit. Keep this wedge with the user manual in case you move the wine cooler again in the future.
- Included inside the cooler is a small white plastic tray. In cases where the inside of the cooler is too dry and you wish to increase the humidity, fill the tray with water and then position inside the cooler where it won't be knocked over. Refill as needed.
- The appliance and its accessories may have been protected from damage during transport by the use of adhesive tape etc. After removal, tape residue may be removed using lukewarm water, mild detergent, and a damp cloth (see chapter **Cleaning and Maintenance**). Never remove any labels from the back of the appliance.
- Install the appliance in a suitable position with an adequate distance from sources of heat and cold.
- Check that the appliance and the power cord are not damaged.
- Install the appliance in a dry and well-ventilated place.
- Protect the appliance from direct sunlight.
- The doors must open completely and without hindrance.
- Install the appliance on a level, dry and solid floor.
- Connect the appliance to the mains properly.
- To allow air circulation, maintain a gap between the walls and the bottles.
- Do not overcrowd the wine cooler.
- Distribute wine bottles evenly throughout the wine cooler - avoid grouping together.
- The wooden shelves may be moved or removed to accommodate non-standard bottles.

- Do not obstruct fans.
- Do not move the wine cooler if it contains bottles.
- Do not pull out more than one loaded shelf at a time as this may cause the wine cooler to tilt forward.
- It is strongly recommended that reversing the door is undertaken by two people as the door is heavy and may cause injury or damage if dropped. Safety gloves should be worn.

6 Before Initial Operation

- Leave the appliance in an upright position for 4–6 hours before you connect it to the mains.
- Clean the appliance thoroughly. Be very careful, especially inside the appliance (see chapter **Cleaning and Maintenance**).
- The appliance must be connected to the mains properly.
- Allow the appliance to stabilise the temperature for approximately 24 hours before use.
- Do not overfill the appliance.

7 Device Overview



- | | |
|---------------------------|---------------------|
| ① Upper Hinge | ⑪ Evaporator Window |
| ② Light Switch | ⑫ Shelf |
| ③ Temperature Setting | ⑬ Exhaust Window |
| ④ Temperature Display | ⑭ Adjustable Foot |
| ⑤ Temperature Setting | ⑮ Glass |
| ⑥ C°/F° Switch | ⑯ Door Seal |
| ⑦ Carbon Filter | ⑰ Handle |
| ⑧ Light | ⑱ Lower Hinge |
| ⑨ Fan | ⑲ Lock |
| ⑩ NTC Point (thermometer) | |

8 Operation

The appliance can only reach the relevant temperatures when:

1. The ambient temperature meets the climatic class.
2. The door is closed properly.
3. You do not open the door too often or for too long.
4. The door seals are in good condition.
5. The appliance is properly positioned.
6. You have not overfilled the appliance.
7. You do not store warm or hot food in the appliance.

Note: Operating the appliance at high ambient temperatures, whilst also operating the appliance at the coldest setting, may cause the compressor to function continuously in order to regulate the temperature inside the appliance.




The ambient room temperature should remain between 5°C and 30°C. Temperatures outside this range may affect the performance of the wine cooler as interior temperatures may fluctuate or may not be reached. As a general rule, the desired internal fridge temperature should be no more than 5°C cooler than the ambient temperature of the room.

For example, if the ambient temperature of the room is 20°C then the lowest temperature setting for the wine cooler should be 15°C. You can set it for lower than this but the fridge will be working harder than it should, which will affect its expected life span, and the set temperature may not be reached. The lower the ambient room temperature the easier it is for the wine cooler to operate - a 10°C room is preferable to a 30°C room.

- Avoid placing the wine cooler near microwaves or other heat emitting appliances.
- As with a refrigerator, from time to time the wine cooler may make noises. These include:
 - Cracking/popping - expansion and contraction of the refrigerant gas.
 - Gurgling - refrigerant flowing through the coils.
 - Fan - circulating air within the wine cooler.

9 Temperature/Light Settings



- Set the temperature using the  and  buttons. (This will increase/decrease by 1° each time).
- The temperature range is between 5–18°C (40–66°F).
- Select degrees Celsius or degrees Fahrenheit using the  button.
- Flashing LED = Setting mode of the temperature.
- Constant LED = Cooling temperature.
- Switch on/off the internal light using the LIGHT button.

10 Helpful Hints/Energy Saving

- Try opening the door as little as possible, especially when the weather is warm and humid. When you open the door, close it as soon as possible.
- Ensure the appliance is well-ventilated on all sides.
- Disconnect the appliance from the mains if not in operation.
- Always keep the door seals clean and in good condition.

11 Cleaning and Maintenance

WARNING

Disconnect the appliance from the mains before you clean or maintain it.

- Always keep the appliance clean to avoid unpleasant odours.
- Dust deposits on the condenser will increase energy consumption. Clean the condenser twice a year with a vacuum cleaner or a soft brush.
- Remove rings and bracelets etc., before cleaning or maintaining the appliance to avoid damaging the appliance surface.

Detergent

- Do not use harsh, abrasive detergents.
- Do not use solvents.

External Cleaning

- Use a moist cloth and a mild, non-acid detergent.
- Use clean water to rinse.
- Dry surfaces with a soft, non-abrasive cloth.

Internal Cleaning

- Clean interior walls, shelves and other removable parts with warm water and a mild, non-acid detergent.
- Use clean water to rinse.
- Dry surfaces with a soft, non-abrasive cloth.
- Check the water drain and clean it if necessary.

Door Seal

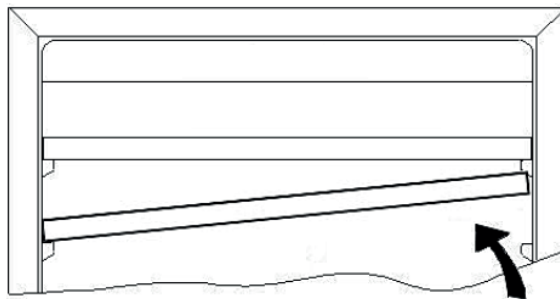
- Clean with warm water and a mild, non-acid detergent.

12 How to Move the Appliance

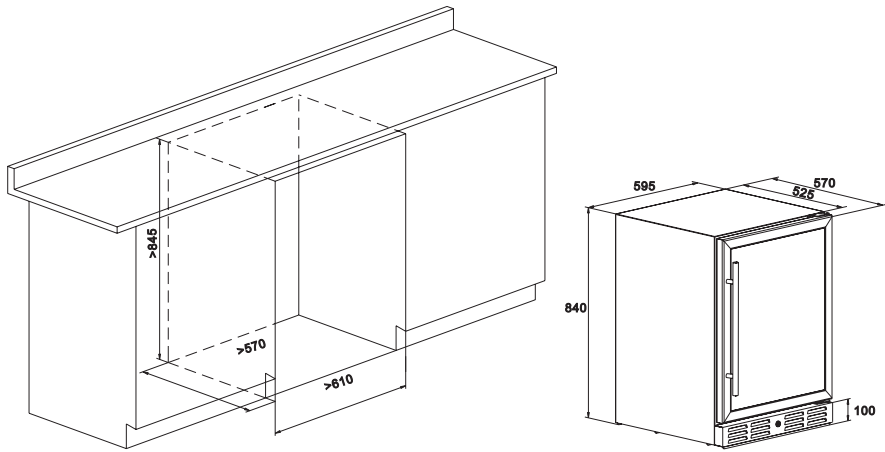
- Remove all wine bottles and/or cans.
- Securely tape down all loose items inside the appliance, or remove them.
- Tape the door closed shut.
- Wind the four levelling feet up to the base of the cooler.
- When moving the appliance, hold it at its base and lift carefully. Keep the appliance in an upright position. Use two people to lift the cooler.
- Do not tilt the wine cooler more than 45°. If the wine cooler is transported in a horizontal position, oil may flow from the compressor into the cooling circuit.
- Leave the wine cooler in an upright position for 4 to 6 hours before switching it on to ensure that the oil has flowed back into the compressor.

13 How to Move the Shelves

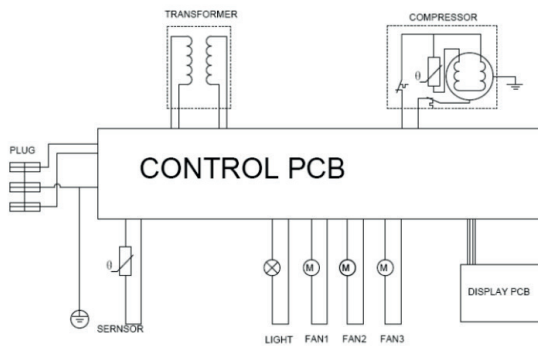
- To avoid damaging the door seal, open the door completely before removing the shelves.
- For easy access to the contents, pull the shelves approximately one third out. A notch on both sides of the tracks protects bottles from falling.
- To remove/insert a shelf, angle it as shown below.



14 Cabinet Dimensions



15 Electrical Circuit Diagram



16 Troubleshooting

PROBLEM	POSSIBLE CAUSE	SOLUTION
Wine cooler doesn't work.	The socket is faulty.	Check the corresponding socket by connecting it with another appliance.
	The plug has come loose.	Check the plug of the appliance is connected to the socket and pushed all the way in.
	The socket is not supplied with energy.	Check the switch is in the 'ON' position.
	The fuse is switched off.	Check the fuse. If fuse is blown, replace it.
	The voltage is too low.	Compare the data on the model plate.
Wine cabinet internal walls have frozen/iced up (particularly near the evaporator outlet). Wine cooler not cool enough.	The door was frequently opened.	Minimise opening and closing of door too often.
	The door is not properly closed.	Close the door properly.
	The door seal is damaged.	Replace the door seal.
	The appliance has been over filled.	Do not overfill - remove bottles until problem resolves.
Wine cooler doesn't work or is not cool enough.	Main control board is defective.	Contact the retailer (Harvey Norman) if under warranty. If no longer under warranty, contact the supplier's service department at apbservice@asiapacbrands.com
Wine cooler has no power.	PCB is defective.	
LED display shows "LO" & "ER"	Control Panel is defective or NTC sensor is defective.	

16 Troubleshooting

PROBLEM	POSSIBLE CAUSE	SOLUTION
The plug is damaged and wine cooler has no power.	Plug is defective.	Contact the retailer (Harvey Norman) if under warranty. If no longer under warranty, contact the supplier's service department at apbservice@asiapacbrands.com
No lighting.	Lighting PCB is defective.	
Temperature cannot be determined.	LED Display PCB is defective.	
Wine cooler is making too much noise.	The appliance is not installed on a level, dry and solid floor.	Realign and adjust the appliance until it is level and ensure floor is solid and dry.
The compressor has a strong vibration.		
Wine cooler is making more noise than normal.	The appliance is in contact with a wall or another item.	Make sure the appliance is not in contact with the wall or other item.
Some wine bottles are cooler than others.	The bottles are incorrectly positioned.	Realign the bottles.
Shelves can not be pulled out smoothly.	Shelves are not inserted correctly. The door is not open sufficiently.	Check and insert/align the shelves correctly.
Wine cooler not reaching set temperature.	The desired internal fridge temperature should be no more than 5°C cooler than the ambient temperature of the room	Cool the ambient temperature of the room, or move the wine cooler to a room with a cooler ambient temperature. See section 8 - Operation, for a fuller description and example.

17 Warranty Statement

Failure to adhere to the requirements set out in this manual may result in personal injury or property damage, and may affect your ability to make a claim under the manufacturer's warranty.

The appliance must be used, installed, and operated in accordance with this manual. You may not be able to claim on the manufacturer's warranty in the event that a product fault is due to failure to adhere to this manual.

This appliance is guaranteed from the date of purchase for one year against manufacturing defects and abnormal deterioration when used in accordance with the care and use instructions for normal domestic use. The warranty excludes damage resulting from product misuse or neglect. In the unlikely event of a fault occurring please contact the retailer for advice on how to proceed.

Keep your receipt as proof of purchase for this product warranty. The benefits given by this warranty are in addition to other rights and remedies you may have under New Zealand Consumer law.

Our goods come with guarantees that cannot be excluded under the New Zealand Consumer Law.

This warranty **DOES NOT** cover

- Service calls not related to any product defect. The cost of a service call will be charged if the problem is found not to be a product fault. For example:
- Correcting the installation of the product.
- Instructing how to use the product.
- Replacing house fuses or correcting household wiring.
- Replacing blown light bulbs.
- Correcting fault(s) caused by the customer.
- Noise or vibration that is considered normal, e.g. fan sounds, regeneration noises, or user warning beeps.
- Correcting damage caused by pests, e.g. rats, cockroaches.

- Correcting corrosion or discolouration due to chemical attack.
- Power outages or surges.
- Defects caused by factors other than:
 - Normal domestic use.
 - Use in accordance with the product's user manual.

This product has been designed for use in a normal domestic environment. It is not intended for commercial use of any kind. Doing so will void the product warranty.

Manufacturer's Declaration

The manufacturer declares:

- that this product meets all basic requirements regarding low-voltage electrical equipment established in Directive 2006/95/EC dated 12 December 2006, and electro-magnetic compatibility established in Directive 2004/108/EC dated 15 December 2004;
- it is not responsible for any failure to observe the instructions given in this manual and current safety regulations for the correct use of the equipment; and that it reserves the right to make any modifications to the equipment or this manual without prior notice.

18 Decommissioning

If the appliance is not used for an extended period of time:

- Draw the plug out of the socket.
- Remove all items stored in the appliance.
- Dry the inside of the appliance with a cloth and leave the door open for a few days.

While away on an average vacation/holiday (14–21 days):

- Do the same as described above, or
- Let the appliance operate.

If you want to move the appliance:

- Secure all removable parts and the contents of the appliance. Pack them separately if necessary.
- Transport the appliance in an upright position only. All other positions can cause damage to the compressor.
- Do not damage the feet of the appliance.

19 Technical Specifications

Model: BEWC-52

Capacity: 142L

Climate Type: SN.N

Protection Type: I

Voltage: 220-240V AC

Frequency: 50Hz

Rated Current: 220-240V/0.7A

Input Power: 90W

Temperature Control Range: 5-18°C

Net Weight: 47kg

Product Size (W×H×D): 59.5 x 84 x 57cm

Note: The rating label is situated inside the unit or on the outside rear of the unit.

BORDEAUX

Customer Support

www.asiapacbrands.com

Helpline New Zealand call toll free 0508 274 2722

Distributed by

Asia Pacific Brands Limited

PO Box 301145, Albany, Auckland, 0752

New Zealand